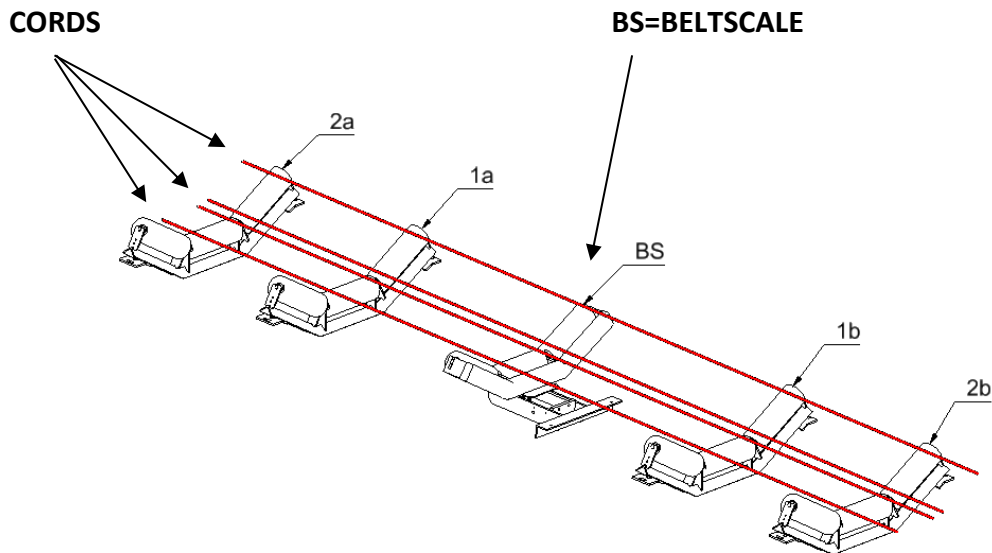


INSTRUCTIONS FOR ADJUSTMENT OF THE WEIGHSTRETCH



The distance from roll 1a/ 1b and the center of the belt scale roller must be carefully measured from the center of the belt weigher roll and preferably not less than 1000mm.

Roller set 1a and 1b **must be of fixed type and not the link type**. If not, we suggest fixing them or replacing with fixed.

i. e. If the distance is less, the accuracy can deteriorate. A distance of 1000mm is always recommended when possible. In cases where it is not possible, stretch it out as much as possible, but preferably not below 700mm.

If there is a bend on the conveyor or the belt drive is positioned higher than the middle rollers, the belt scale must be placed at a position where the belt has contact with the rollers at least two roller sets before, over and after the belt weigher.

Note: The belt must always be in contact with the belt scale and surrounding roller sets.

Two thin cords are then attached between rollers 2a and 2b. Rollers 1a and 1b must not be lower than these. If the conveyor is straight, the cords only need to be placed from roller 1a to 1b.

The belt weigher has separate adjustment bolts for each end of the rollers, adjust until the cord makes light contact with the rollers at both ends. Same procedure for each of the rollers.

After completed adjustment of the weigh stretch, the rollers are locked with the M6 bolts on the sides of each roller.